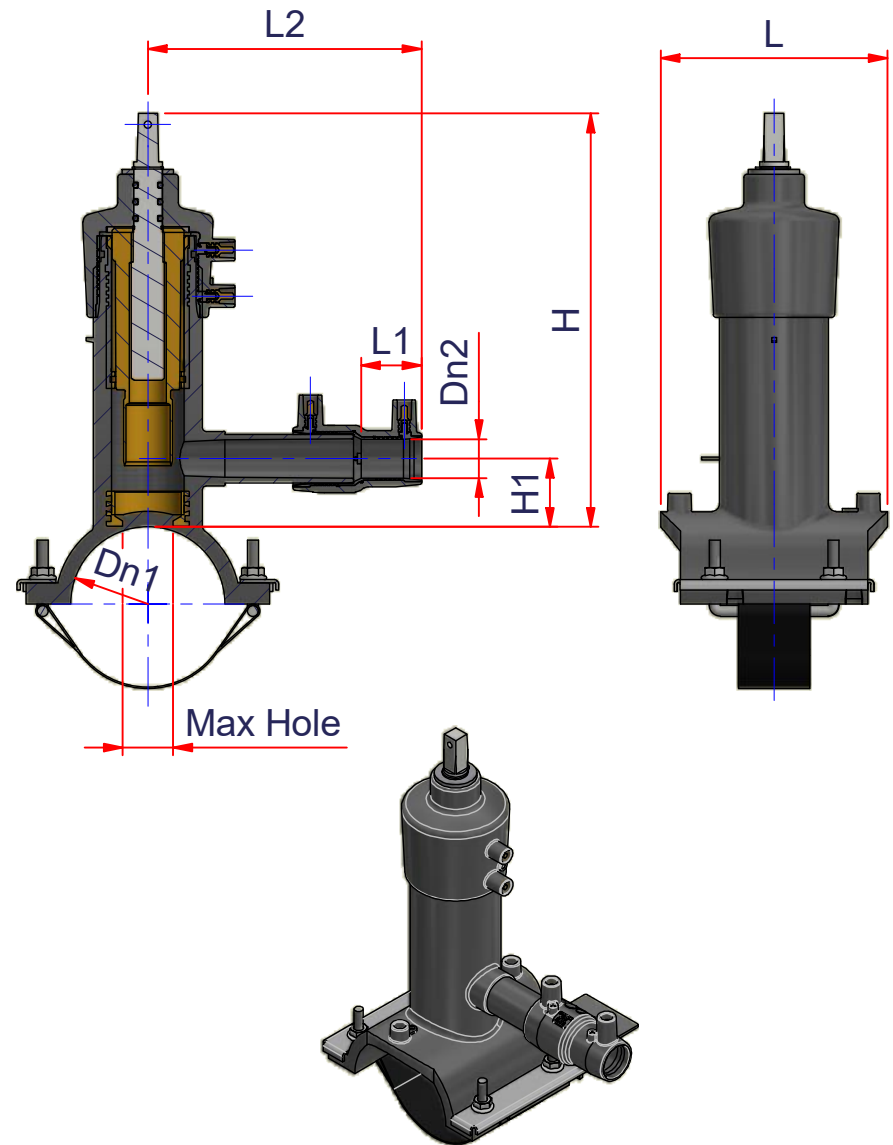


CODE	Dn1	Dn2	S	L1	L2	L	H1	H	Max Hole
12EPREVCE09020	90	20	-	37	180	150	63	280	32,5
12EPREVCE11020	110	20	-	37	180	150	63	280	32,5
12EPREVCE12520	125	20	-	37	180	150	63	280	32,5
12EPREVCE14020	140	20	-	37	180	150	63	280	32,5
12EPREVCE16020	160	20	-	37	180	150	63	280	32,5
12EPREVCE18020	180	20	-	37	180	150	63	280	32,5
12EPREVCE20020	200	20	-	37	180	150	63	280	32,5
12EPREVCE22520	225	20	-	37	180	150	63	280	32,5
12EPREVCE25020	250	20	-	37	180	150	63	280	32,5
12EPREVCE28020	280	20	-	37	180	150	63	280	32,5
12EPREVCE31520	315	20	-	37	180	150	63	280	32,5
12EPREVCE09025	90	25	-	39,5	180	150	63	280	32,5
12EPREVCE11025	110	25	-	39,5	180	150	63	280	32,5
12EPREVCE12525	125	25	-	39,5	180	150	63	280	32,5
12EPREVCE14025	140	25	-	39,5	180	150	63	280	32,5
12EPREVCE16025	160	25	-	39,5	180	150	63	280	32,5
12EPREVCE18025	180	25	-	39,5	180	150	63	280	32,5
12EPREVCE20025	200	25	-	39,5	180	150	63	280	32,5
12EPREVCE22525	225	25	-	39,5	180	150	63	280	32,5
12EPREVCE25025	250	25	-	39,5	180	150	63	280	32,5
12EPREVCE28025	280	25	-	39,5	180	150	63	280	32,5
12EPREVCE31525	315	25	-	39,5	180	150	63	280	32,5



EIOFIT

ITEM: **EPREVCE**

C:\Vault_Temp\Disegni\Schede Tecniche\Eiofit metric\Electrofusion fittings\EL10237.dwg

DESC: COLLARE DI PRESA IN CARICO CON VALVOLA INCORPORATA
TAPPING VALVE
PE100 SDR11 PFA/PN16

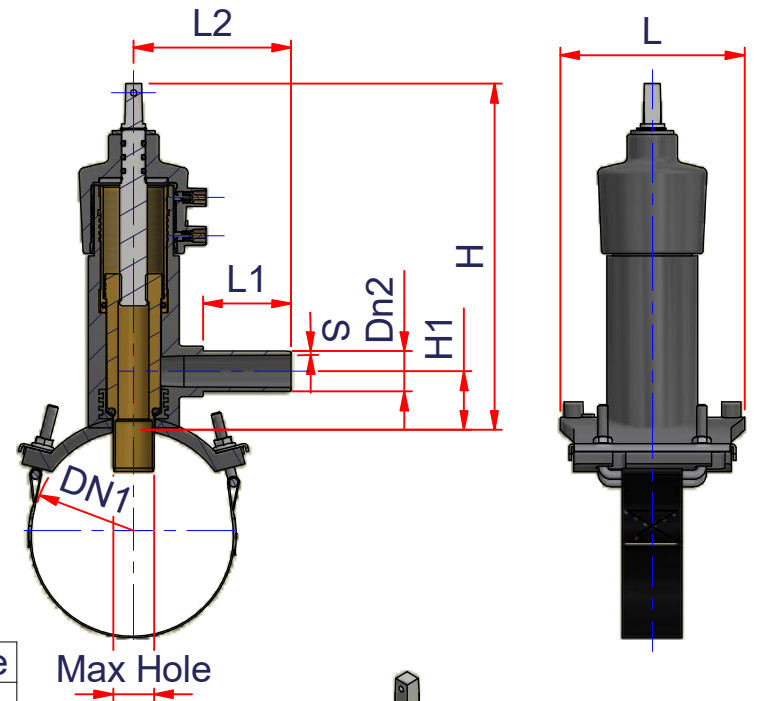


DRAWING No:
EL10237

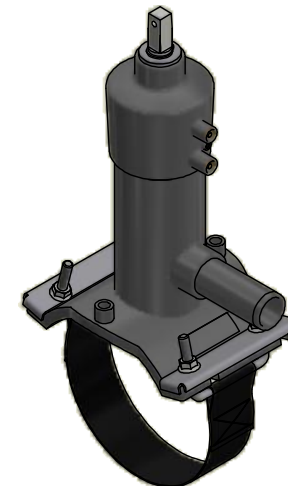
SHEET OF REV.
1 4 -1

www.nupiindustriaitaliane.com - info@nupinet.com

All dimensions have to be considered in millimeters with 5% tolerance if not otherwise mentioned excluding values as per standard EN 1555 (gas) and/or EN 12201 (water)



CODE	Dn1	Dn2	S	L1	L2	L	H1	H	Max Hole
12EPREVCE09032	90	32	3,0	89	136	150	63	280	32,5
12EPREVCE11032	110	32	3,0	89	136	150	63	280	32,5
12EPREVCE12532	125	32	3,0	89	136	150	63	280	32,5
12EPREVCE14032	140	32	3,0	89	136	150	63	280	32,5
12EPREVCE16032	160	32	3,0	89	136	150	63	280	32,5
12EPREVCE18032	180	32	3,0	89	136	150	63	280	32,5
12EPREVCE20032	200	32	3,0	89	136	150	63	280	32,5
12EPREVCE22532	225	32	3,0	89	136	150	63	280	32,5
12EPREVCE25032	250	32	3,0	89	136	150	63	280	32,5
12EPREVCE28032	280	32	3,0	89	136	150	63	280	32,5
12EPREVCE31532	315	32	3,0	89	136	150	63	280	32,5



EIOFIT

ITEM: **EPREVCE**

C:\Vault_Temp\Disegn\ISchede Tecniche\Eiofit metric\Electrofusion fittings\EL10237.dwg

DESC: COLLARE DI PRESA IN CARICO CON VALVOLA INCORPORATA
TAPPING VALVE
PE100 SDR11 PFA/PN16



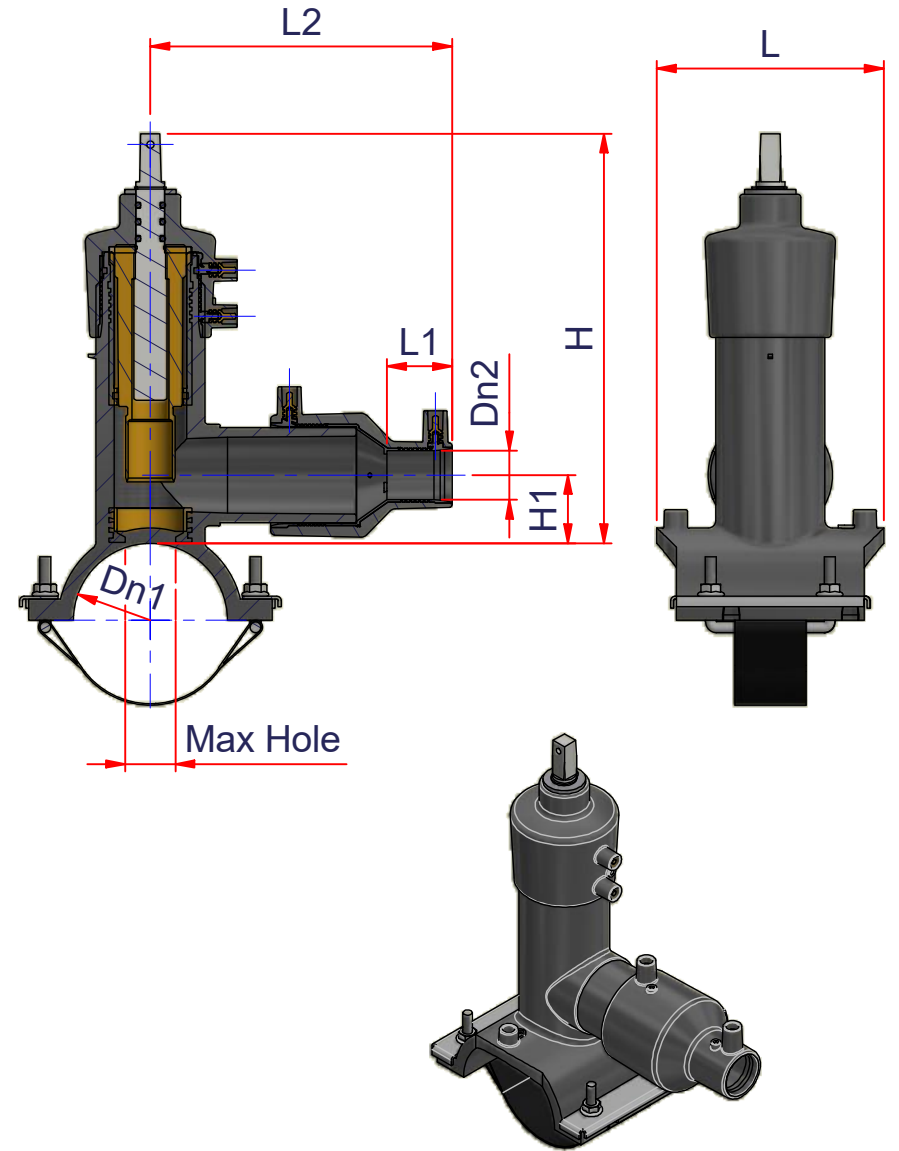
DRAWING No:
EL10237

SHEET OF REV.
2 4 -1

www.nupiindustriaitaliane.com - info@nupinet.com

All dimensions have to be considered in millimeters with 5% tolerance if not otherwise mentioned excluding values as per standard EN 1555 (gas) and/or EN 12201 (water)

CODE	Dn1	Dn2	S	L1	L2	L	H1	H	Max Hole
12EPREVCE09040	90	40	-	45	198	150	63	280	32,5
12EPREVCE11040	110	40	-	45	198	150	63	280	32,5
12EPREVCE12540	125	40	-	45	198	150	63	280	32,5
12EPREVCE14040	140	40	-	45	198	150	63	280	32,5
12EPREVCE16040	160	40	-	45	198	150	63	280	32,5
12EPREVCE18040	180	40	-	45	198	150	63	280	32,5
12EPREVCE20040	200	40	-	45	198	150	63	280	32,5
12EPREVCE22540	225	40	-	45	198	150	63	280	32,5
12EPREVCE25040	250	40	-	45	198	150	63	280	32,5
12EPREVCE28040	280	40	-	45	198	150	63	280	32,5
12EPREVCE31540	315	40	-	45	198	150	63	280	32,5
12EPREVCE09050	90	50	-	50	198	150	63	280	32,5
12EPREVCE11050	110	50	-	50	198	150	63	280	32,5
12EPREVCE12550	125	50	-	50	198	150	63	280	32,5
12EPREVCE14050	140	50	-	50	198	150	63	280	32,5
12EPREVCE16050	160	50	-	50	198	150	63	280	32,5
12EPREVCE18050	180	50	-	50	198	150	63	280	32,5
12EPREVCE20050	200	50	-	50	198	150	63	280	32,5
12EPREVCE22550	225	50	-	50	198	150	63	280	32,5
12EPREVCE25050	250	50	-	50	198	150	63	280	32,5
12EPREVCE28050	280	50	-	50	198	150	63	280	32,5
12EPREVCE31550	315	50	-	50	198	150	63	280	32,5



EIOFIT

ITEM: **EPREVCE**

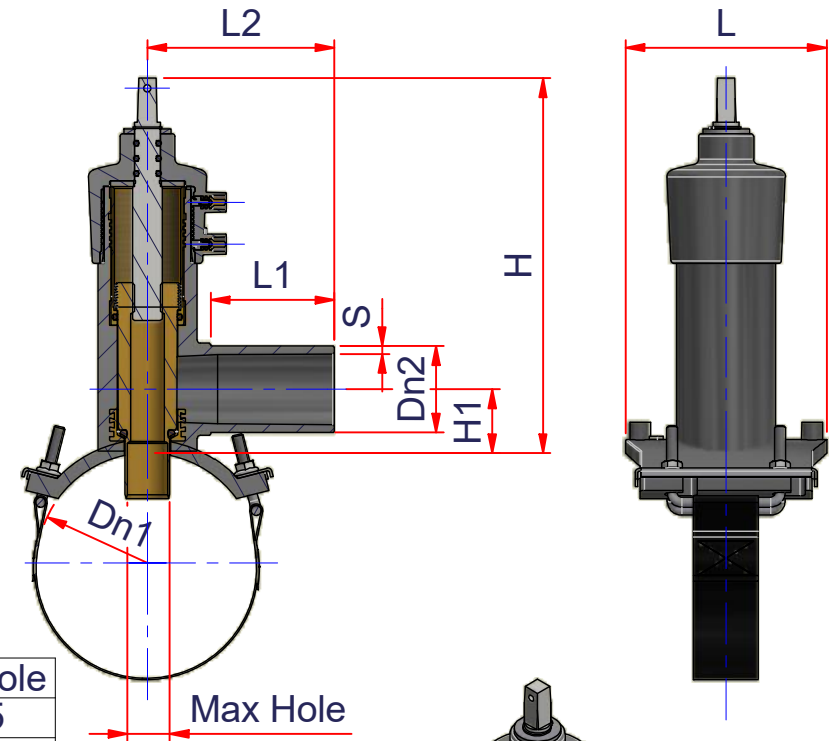
DESC: COLLARE DI PRESA IN CARICO CON VALVOLA INCORPORATA
TAPPING VALVE
PE100 SDR11 PFA/PN16



DRAWING No:
EL10237
SHEET OF 3 4 REV. -1

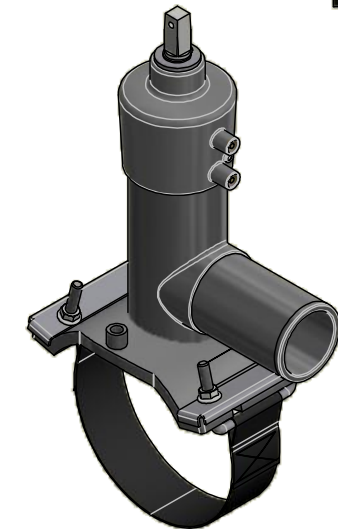
www.nupiindustriaitaliane.com - info@nupinet.com

All dimensions have to be considered in millimeters with 5% tolerance if not otherwise mentioned excluding values as per standard EN 1555 (gas) and/or EN 12201 (water)



* CON FONDO STAFFA RIGIDO
WITH RIGID UNDER CLAMP

CODE	Dn1	Dn2	S	L1	L2	L	H1	H	Max Hole
12EPREVCE06363*	63	63	5,8	89	136	150	63	280	32,5
12EPREVCE09063	90	63	5,8	89	136	150	63	280	32,5
12EPREVCE11063	110	63	5,8	89	136	150	63	280	32,5
12EPREVCE12563	125	63	5,8	89	136	150	63	280	32,5
12EPREVCE14063	140	63	5,8	89	136	150	63	280	32,5
12EPREVCE16063	160	63	5,8	89	136	150	63	280	32,5
12EPREVCE18063	180	63	5,8	89	136	150	63	280	32,5
12EPREVCE20063	200	63	5,8	89	136	150	63	280	32,5
12EPREVCE22563	225	63	5,8	89	136	150	63	280	32,5
12EPREVCE25063	250	63	5,8	89	136	150	63	280	32,5
12EPREVCE28063	280	63	5,8	89	136	150	63	280	32,5
12EPREVCE31563	315	63	5,8	89	136	150	63	280	32,5



EIOFIT

ITEM: **EPREVCE**

C:\Vault_Temp\Disegni\Schede Tecniche\Eiofit metric\Electrofusion fittings\EL10237.dwg

DESC: COLLARE DI PRESA IN CARICO CON VALVOLA INCORPORATA TAPPING VALVE PE100 SDR11 PFA/PN16



DRAWING No:
EL10237

SHEET OF REV.
4 4 -1

www.nupiindustriaitaliane.com - info@nupinet.com

All dimensions have to be considered in millimeters with 5% tolerance if not otherwise mentioned excluding values as per standard EN 1555 (gas) and/or EN 12201 (water)