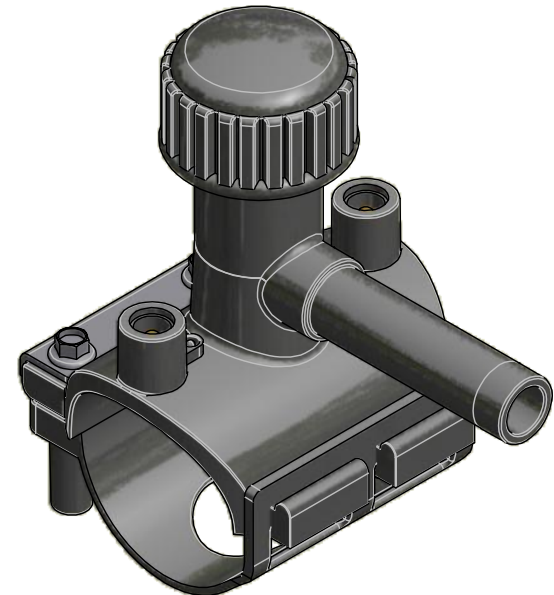
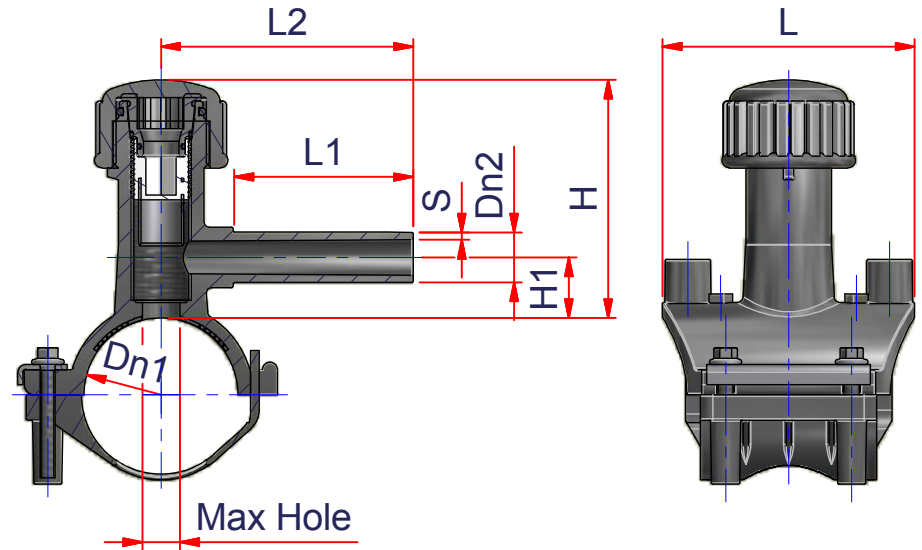


CODE	Dn1	Dn2	S	L1	L2	L	H1	H	Max Hole
12EPRES04020	40	20	3	70	100	100	24	95	17
12EPRES05020	50	20	3	70	100	100	24	95	17
12EPRES06320	63	20	3	70	100	100	24	95	17
12EPRES07520	75	20	3	70	100	100	24	95	17
12EPRES09020	90	20	3	50	100	100	20	100	17
12EPRES11020	110	20	3	50	100	100	20	100	17
12EPRES12520	125	20	3	50	100	100	20	100	17
12EPRES16020	160	20	3	70	100	100	23	110	17
12EPRES18020	180	20	3	70	100	100	23	110	17
12EPRES04025	40	25	3	70	100	100	24	95	17
12EPRES05025	50	25	3	70	100	100	24	95	17
12EPRES06325	63	25	3	70	100	100	24	95	17
12EPRES07525	75	25	3	70	100	100	24	95	17
12EPRES09025	90	25	3	50	100	100	20	100	17
12EPRES11025	110	25	3	50	100	100	20	100	17
12EPRES12525	125	25	3	70	100	100	20	100	17
12EPRES16025	160	25	3	70	100	100	23	110	17
12EPRES18025	180	25	3	70	100	100	23	110	17



ITEM: EPRES

C:\Vault_Temp\Disegni\Corinna\Tabelle\Elofit\Raccordi elettrosaldabili\Epres\EL10150.dwg

DESC: COLLARE DI PRESA IN CARICO CON FONDO STAFFA RIGIDO
TAPPING TEE WITH RIGID UNDER CLAMP
PE100 SDR11 PFA/PN16



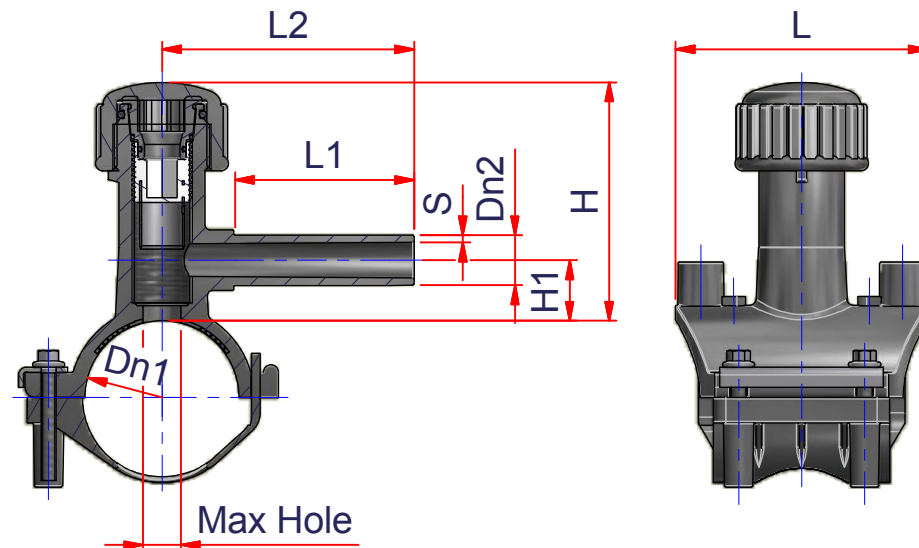
DRAWING No: EL10150

SHEET OF 1 2 REV. -1

www.nupigeco.com - info@nupigeco.com

All dimensions have to be considered in millimeters with 5% tolerance if not otherwise mentioned

CODE	Dn1	Dn2	S	L1	L2	L	H1	H	Max Hole
12EPRES04032	40	32	3	70	100	100	24	95	17
12EPRES05032	50	32	3	70	100	100	24	95	17
12EPRES06332	63	32	3	70	100	100	24	95	17
12EPRES07532	75	32	3	70	100	100	24	95	17
12EPRES09032	90	32	3	50	100	100	20	100	17
12EPRES11032	110	32	3	50	100	100	20	100	17
12EPRES12532	125	32	3	50	100	100	20	100	17
12EPRES16032	160	32	3	70	100	100	23	110	17
12EPRES18032	180	32	3	70	100	100	23	110	17
12EPRES06340	63	40	3,7	70	100	130	32	132	23
12EPRES06350	63	50	4,6	62	100	130	32	145	31
12EPRES09050	90	50	4,6	90	136	150	62	210	40,5
12EPRES11050	110	50	4,6	90	136	150	62	210	40,5
12EPRES06363	63	63	5,8	62	100	130	32	145	31
12EPRES09063	90	63	5,8	90	136	150	62	210	40,5
12EPRES11063	110	63	5,8	90	136	150	62	210	40,5



ITEM: EPRES

DESC: COLLARE DI PRESA IN CARICO CON FONDO STAFFA RIGIDO
TAPPING TEE WITH RIGID UNDER CLAMP
PE100 SDR11 PFA/PN16



DRAWING No:
EL10150

SHEET OF REV.
2 2 -1

www.nupigeco.com - info@nupigeco.com

All dimensions have to be considered in millimeters with 5% tolerance if not otherwise mentioned