

CODE	Dn	D	L1	L	H
12DME090	90	113	72	146	130
12DME110	110	136	76,5	155	144
12DME125	125	156	82	166	168
12DME140	140	168	84	170	181
12DME160	160	181	87	175	197
12DME180	180	215	88	177	224
12DME200	200	226	92	185	237
12DME225	225	268	108	231,5	272,5
12DME250	250	296	106	212	300
12DME315	315	372.5	120	240	373



EloFIT

ITEM: **DME**

DESC: MANICOTTO ELETTROSALDABILE
ELECTROFUSION COUPLER
PE100 SDR17 PFA/PN10

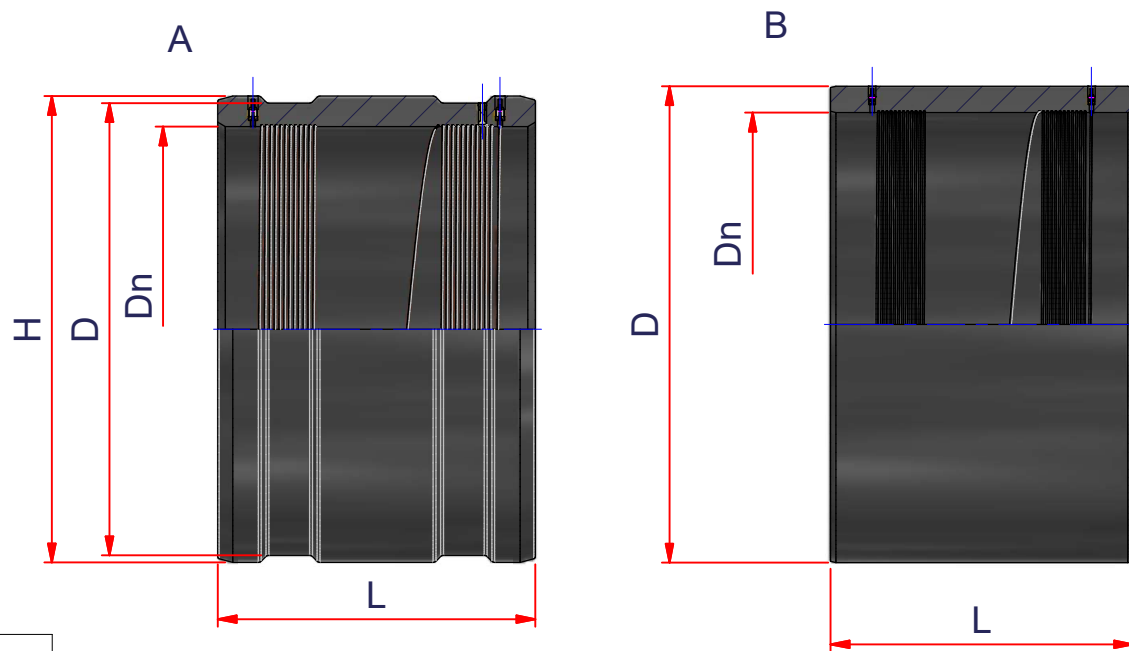


DRAWING No:
EL10011

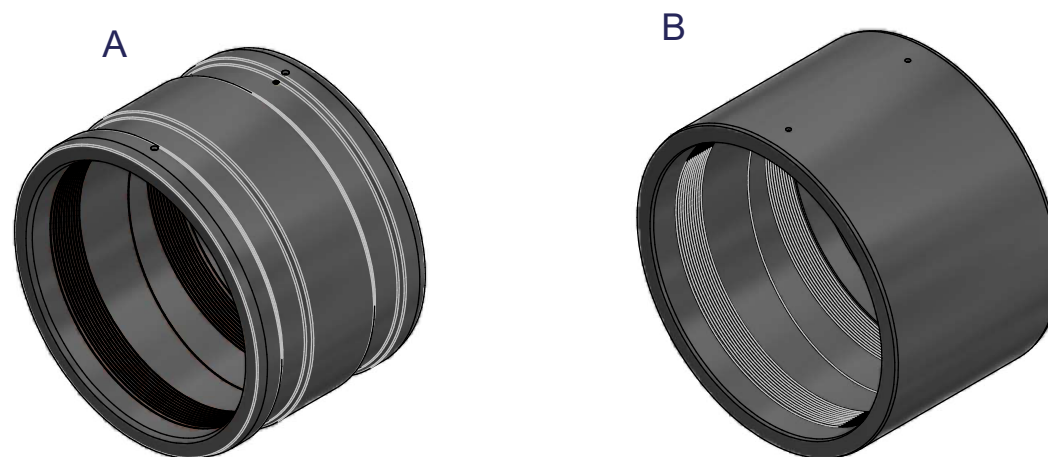
SHEET OF REV.
1 2 -5

www.nupiindustriaitaliane.com - info@nupinet.com

All dimensions have to be considered in millimeters with 5% tolerance if not otherwise mentioned excluding values as per standard EN 1555 (gas) and/or EN 12201 (water)



CODE	Type	Dn	D	H	L
12DME280	A	280	318	332	270
12DME355	A	355	398	412	300
12DME400	A	400	455	469	315
12DME450	A	450	512	526	340
12DME500	A	500	568	582	380
12DME560	B	560	630	-	400
12DME630	B	630	710	-	440
12DME710	B	710	810	-	432
12DME800	B	800	910	-	452
12DME900	B	900	1010	-	470
12DME1000	B	1000	1130	-	490



EIOFIT

ITEM: **DME**

C:\Vault_Temp\Disegni\Schede Tecniche\Eiofit metric\Electrofusion fittings\EL10011.dwg

DESC: MANICOTTO ELETTRISALDABILE
ELECTROFUSION COUPLER
PE100 SDR17 PFA/PN10



DRAWING No:
EL10011

SHEET OF	REV.
2 2	-5

www.nupiindustriaitaliane.com - info@nupinet.com

All dimensions have to be considered in millimeters with 5% tolerance if not otherwise mentioned excluding values as per standard EN 1555 (gas) and/or EN 12201 (water)