

CODE	Dn	D	L1	L	H
12FME110	110	136	76,5	155	144
12FME125	125	156	82	166	168
12FME140	140	168	84	170	181
12FME160	160	191	87	175	201
12FME180	180	215	88	177	224
12FME200	200	236	92	185	243
12FME225	225	272	104	212	274
12FME250	250	296	106	212	300



EloFIT

ITEM: **FME**

DESC: MANICOTTO ELETROSALDABILE SCARICO
ELECTROFUSION SEWAGE COUPLER
PE100 SDR33 U-UD

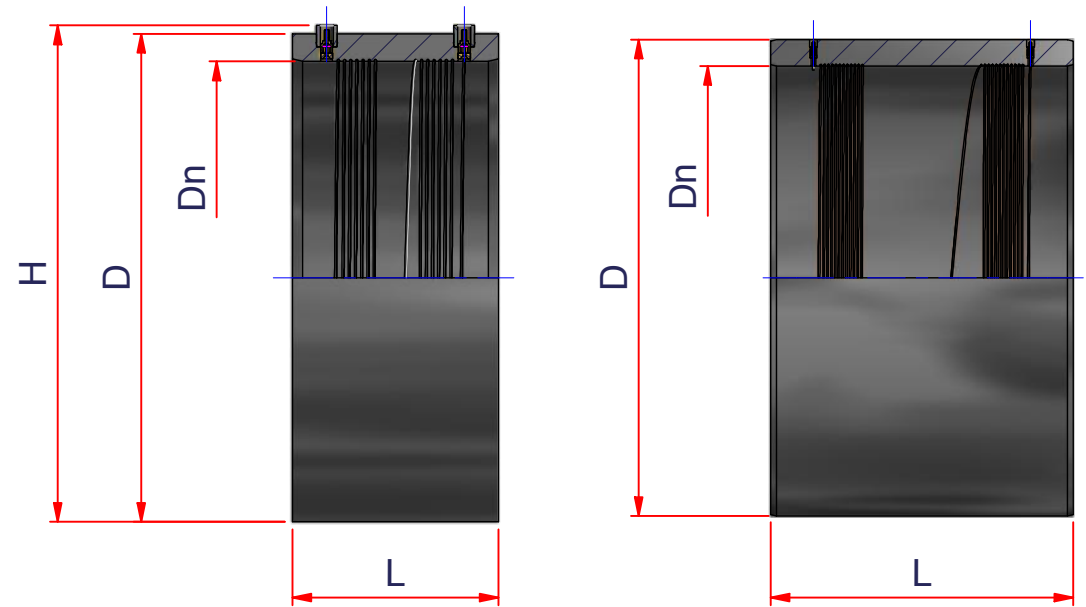


DRAWING No:
EL10006

SHEET OF REV.
1 2 -2

www.nupiindustriaitaliane.com - info@nupinet.com

All dimensions have to be considered in millimeters with 5% tolerance if not otherwise mentioned excluding values as per standard EN 1555 (gas) and/or EN 12201 (water)



CODE	Dn	D	L1	L	H
12FME280	280	315	-	161	326
12FME315	315	355	-	150	361
12FME355	355	400	-	210	410
12FME400	400	450	-	210	454
12FME450	450	500	-	212	505
12FME500	500	560	-	210	-
12FME560	560	630	-	250	-
12FME630	630	710	-	250	-
12FME710	710	810	-	272	-
12FME800	800	910	-	280	-
12FME900	900	1005	-	292	-
12FME1000	1000	-	-	-	-



EIOFIT

ITEM: **FME**

DESC: MANICOTTO ELETROSALDABILE SCARICO
ELECTROFUSION SEWAGE COUPLER
PE100 SDR33 U-UD



DRAWING No:
EL10006

SHEET OF REV.
2 2 -2

www.nupiindustriaitaliane.com - info@nupinet.com

All dimensions have to be considered in millimeters with 5% tolerance if not otherwise mentioned excluding values as per standard EN 1555 (gas) and/or EN 12201 (water)