

| CODE | Dn | S1 | L1 | D2 | S2 | L2 | L3 | L | D |
|-------------|----|-----|----|------|------|-----|----|-----|------|
| 12ERPEAL032 | 32 | 3 | 72 | 33,4 | 4,55 | 242 | 76 | 390 | 42,4 |
| 12ERPEAL040 | 40 | 3,7 | 72 | 42,4 | 3,20 | 242 | 76 | 390 | 52,6 |
| 12ERPEAL050 | 50 | 4,6 | 72 | 48,3 | 5,08 | 242 | 76 | 390 | 66 |
| 12ERPEAL063 | 63 | 5,8 | 72 | 60,3 | 5,54 | 242 | 76 | 390 | 80 |



EloFIT

ITEM: **ERPEAL**

C:\Vault_Temp\Disegni\Schede Tecniche\Elofit metric\Transition fittings\EL10122.dwg

DESC: RACCORDO DI TRANSIZIONE PE/ACCIAIO LISCIO
ZINCATO
PE/STEEL TRANSITION FITTING GALVANIZED
PE100 SDR11 PFA/PN16

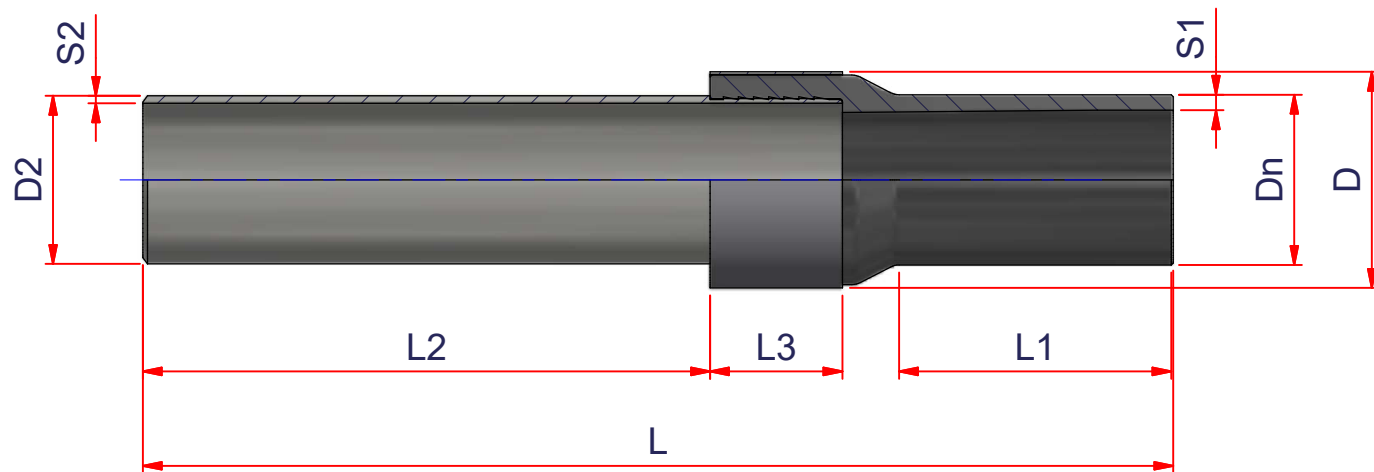


DRAWING No:
EL10122

| SHEET OF | REV. |
|----------|------|
| 1 2 | -2 |

www.nupiindustriaitaliane.com - info@nupinet.com

All dimensions have to be considered in millimeters with 5% tolerance if not otherwise mentioned excluding values as per standard EN 1555 (gas) and/or EN 12201 (water)



| CODE | Dn | S1 | L1 | D2 | S2 | L2 | L3 | L | D |
|--------------|-----|------|-----|-------|------|-----|-----|-----|-------|
| 12ERPEAL075 | 75 | 6,8 | 130 | 76,1 | 3,6 | 300 | 60 | 537 | 88,9 |
| 12ERPEAL090 | 90 | 8,2 | 145 | 88,9 | 4 | 300 | 70 | 545 | 114,3 |
| 12ERPEAL110 | 110 | 10 | 135 | 114,3 | 4,5 | 300 | 90 | 560 | 152,4 |
| 12ERPEAL125 | 125 | 11,4 | 140 | 114,3 | 4,5 | 300 | 90 | 565 | 152,4 |
| 12ERPEAL140 | 140 | 12,7 | 155 | 139,7 | 5 | 300 | 95 | 595 | 180 |
| 12ERPEAL160 | 160 | 14,6 | 165 | 168,3 | 5,4 | 300 | 95 | 605 | 219 |
| 12ERPEAL180 | 180 | 16,4 | 170 | 168,3 | 5,4 | 300 | 95 | 605 | 219 |
| 12ERPEAL200 | 200 | 18,2 | 175 | 219,1 | 6,35 | 300 | 105 | 635 | 290 |
| 12ERPEAL225 | 225 | 20,5 | 175 | 219,1 | 6,35 | 300 | 105 | 635 | 290 |
| 12ERPEAL250 | 250 | 22,7 | 310 | 273 | 6,35 | 300 | 105 | 750 | - |
| 12ERPEAL280 | 280 | 25,4 | 310 | 273 | 6,35 | 300 | 140 | 750 | - |
| 12ERPEAL3125 | 315 | 28,6 | 310 | 273 | 7,14 | 300 | 150 | 760 | - |
| 12ERPEAL3130 | 315 | 28,6 | 310 | 323,8 | 7,14 | 300 | 150 | 760 | - |



EloFIT

ITEM: **ERPEAL**

C:\Vault_Temp\Disegni\Schede Tecniche\Elofit metric\Transition fittings\EL10122.dwg

DESC: RACCORDO DI TRANSIZIONE PE/ACCIAIO LISCIO
ZINCATO
PE/STEEL TRANSITION FITTING GALVANIZED
PE100 SDR11 PFA/PN16



DRAWING No:
EL10122

| | |
|----------|------|
| SHEET OF | REV. |
| 2 2 | -2 |

www.nupiindustriaitaliane.com - info@nupinet.com

All dimensions have to be considered in millimeters with 5% tolerance if not otherwise mentioned excluding values as per standard EN 1555 (gas) and/or EN 12201 (water)