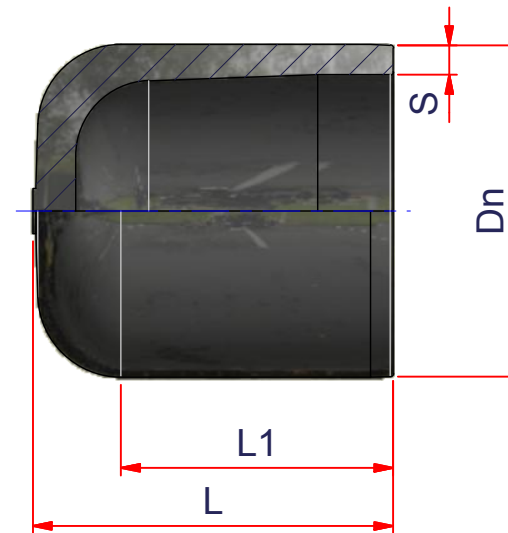


CODE	Dn	S	L1	L
12ECAL020	20	3	50	56
12ECAL025	25	3	50	57
12ECAL032	32	3	50	59
12ECAL040	40	3,7	55	66
12ECAL050	50	4,6	60	74
12ECAL063	63	5,8	70	87
12ECAL075	75	6,8	75	95
12ECAL090	90	8,2	81	105
12ECAL110	110	10	90	119
12ECAL125	125	11,4	95	128
12ECAL140	140	12,7	100	116
12ECAL160	160	14,6	108	142
12ECAL180	180	16,4	95	113
12ECAL200	200	18,2	133	172
12ECAL225	225	20,5	127	145
12ECAL250	250	22,7	117	150
12ECAL280	280	25,4	112	117
12ECAL315	315	28,6	157	208
12ECAL355	355	32,3	145	145
12ECAL400 **	400	36,4	178	300
12ECAL450 *	450	40,9	-	-
12ECAL500 *	500	45,5	-	-
12ECAL560 *	560	50,9	-	-
12ECAL630 *	630	57,3	-	-



* OTTENUTA DA RIDUZIONE + CALOTTA \varnothing 400
MADE WITH REDUCER + \varnothing 400 CAP

** OTTENUTA DA 12ERD4031 + 12ECAL315
MADE WITH 12ERD4031 + 12ECAL315

EloFIT
nupigeco

ITEM: **ECAL**

DESC: CALOTTA A CODOLO LUNGO
CAP LONG SPIGOT
PE100 SDR11 PFA/PN16



DRAWING No:
EL10044

SHEET OF REV.
1 1 0

www.nupigeco.com - info@nupigeco.com

All dimensions have to be considered in millimeters with 5% tolerance if not otherwise mentioned