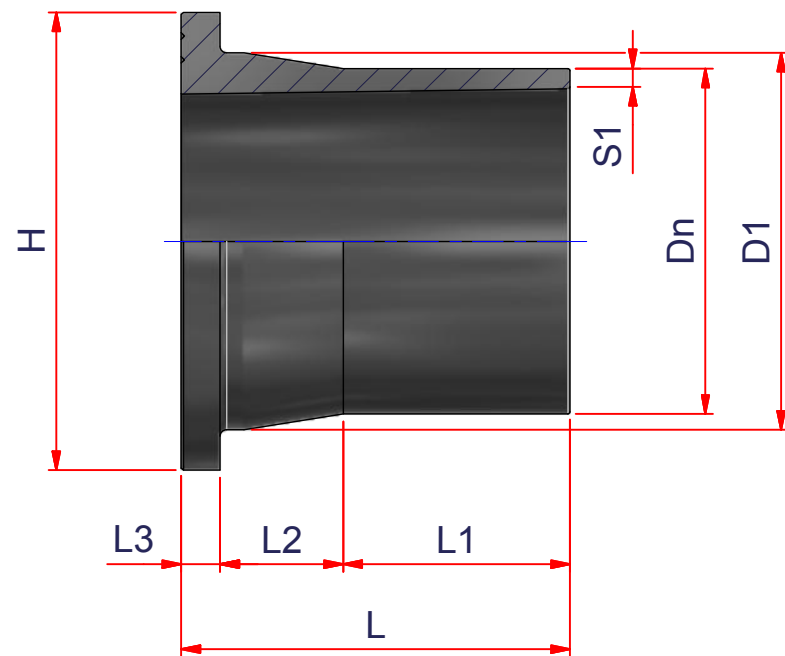
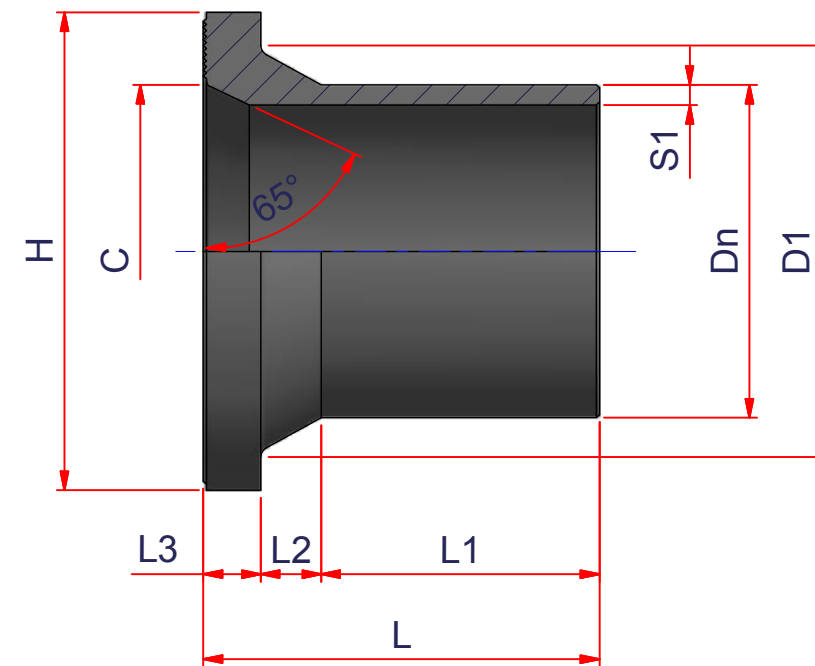


## Type A



## Type B



CODE	Type	Dn	S1	L1	D1	L2	L3	L	H	C
12DCRT063	A	63	3,8	70	75	21	14	105	102	
12DCRT075	A	75	4,5	89	89	21	16	126	122	
12DCRT090	A	90	5,4	103	105	21	17	141	138	
12DCRT110	B	110	6,6	92	136	20	19	131	158	109
12DCRT125	A	125	7,4	132	132	21	18	171	158	
12DRCT140	A	140	8,3	100	155	62	18	180	188	
12DCRT160	A	160	9,5	105	175	46	18	180	212	
12DCRT180	A	180	10,7	114	180	46	20	180	212	
12DCRT200	A	200	11,9	120	232	56	24	200	268	
12DCRT225	A	225	13,4	125	235	51	24	200	268	
12DCRT250	A	250	14,8	142	285	40	25	207	320	
12DCRT280	A	280	16,6	152	291	30	25	207	320	
12DCRT315	A	315	18,8	152	335	40	25	217	370	
12DCRT355	A	355	21,1	176	373	40	30	246	430	
12DCRT400	A	400	23,7	182	427	45	33	260	485	
12DCRT450	A	450	26,7	200	514	60	46	306	585	
12DCRT500	A	500	29,7	214	530	50	46	310	585	
12DCRT560	A	560	33,2	235	615	40	50	325	685	
12DCRT630	A	630	37,4	260	642	40	50	350	680	

## Type A



## Type B



**EIOFIT**

ITEM: DCRT

DESC: CARTELLA A CODOLO LUNGO  
STUB END LONG SPIGOT  
PE100 SDR17 PFA/PN10



DRAWING No:  
EL10094  
SHEET OF 1 1  
REV. -2

www.nupiindustriaitaliane.com - info@nupinet.com

All dimensions have to be considered in millimeters with 5% tolerance if not otherwise mentioned excluding values as per standard EN 1555 (gas) and/or EN 12201 (water)