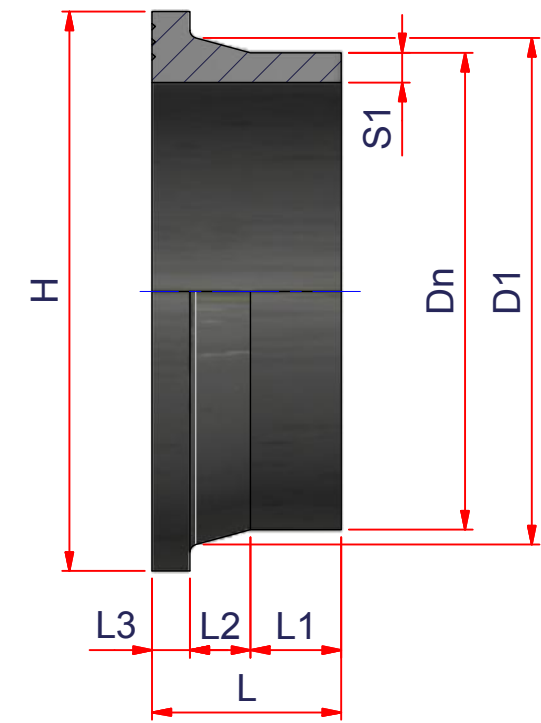


CODE	Dn	S1	L1	D1	L2	L3	L	H
12DCRTC110	110	6,6	25	125	25	18	68	158
12DCRTC125	125	7,4	36	132	25	19	80	158
12DCRTC140	140	8,3	34	155	28	18	80	188
12DCRTC160	160	9,5	34	175	28	18	80	212
12DCRTC180	180	10,7	30	180	30	20	80	212
12DCRTC200	200	11,9	20,5	232	40	24,5	85	268
12DCRTC225	225	13,4	46	235	30	24	100	268
12DCRTC250	250	14,8	35	285	40	25	100	320
12DCRTC280	280	16,6	45	291	30	25	100	320
12DCRTC315	315	18,8	35	335	40	25	100	370
12DCRTC355	355	21,1	45	373	40	30	115	430
12DCRTC400	400	23,7	40	427	45	33	118	485
12DCRTC450	450	26,7	24	514	60	46	130	585
12DCRTC500	500	29,7	57	530	50	46	153	585
12DCRTC560	560	33,2	15	615	60	50	125	685
12DCRTC630	630	37,4	35	642	40	50	125	685
12DCRTC710	710	42,1	20	738	50	50	120	800
12DCRTC800	800	47,4	20	836	50	52	122	900
12DCRTC900	900	53,3	20	944	50	55	125	1005
12DCRTC1000	1000	59,3	20	1047	50	60	130	1110



EloFIT

ITEM: **DCRTC**
C:\Vault_Temp\Disegni\Schede Tecniche\Elofit metric\Butt fusion fittings\EL10098.dwg

DESC: CARTELLA A CODOLO CORTO
 STUB END SHORT SPIGOT
 PE100 SDR17 PFA/PN10



DRAWING No:
EL10098
 SHEET OF 1 1 REV. -3

www.nupiindustriaitaliane.com - info@nupinet.com

All dimensions have to be considered in millimeters with 5% tolerance if not otherwise mentioned excluding values as per standard EN 1555 (gas) and/or EN 12201 (water)