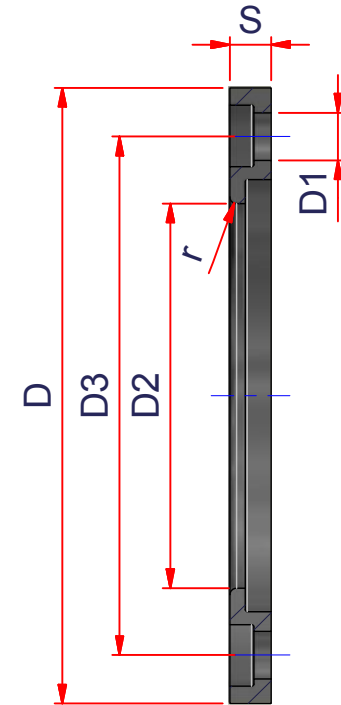


Articolo	PN	dn(PE)	Dn	D	S	D2	r	D3	D1	holes	screws
00FLAACPP025	10-16	25	20	118	18	34	3	75	14	4	M12
00FLAACPP032	10-16	32	25	122	17	42	3	85	14	4	M12
00FLAACPP040	10-16	40	32	142	17	51	3	100	18	4	M16
00FLAACPP050	10-16	50	40	156	19	62	3	110	18	4	M16
00FLAACPP063	10-16	63	50	171	20	78	3	125	18	4	M16
00FLAACPP075	10-16	75	65	191	21	92	3	145	18	4	M16
00FLAACPP090	10-16	90	80	206	21	108	3	160	18	8	M16
00FLAACPP110	10-16	110	100	226	22	128	3	180	18	8	M16
00FLAACPP125	10-16	125	100	226	23	135	3	180	18	8	M16
00FLAACPP140	10-16	140	125	261	25	158	3	210	18	8	M16
00FLAACPP160	10-16	160	150	296	28	178	3	240	22	8	M20
00FLAACPP180	10-16	180	150	296	27	188	4	240	22	8	M20
00FLAACPP200225	10	200-225	200	350	23	250	3	295	22	8	M20
00FLAACPP200225/16	16	200-225	200	350	31	238	4	295	22	8	M20
00FLAACPP250	10	250	250	412	36	288	4	350	22	12	M20
00FLAACPP280	10	280	250	412	35	294	4	350	22	12	M20
00FLAACPP315	10	315	300	462	42	338	4	400	22	12	M20
00FLAACPP355	10	355	350	525	52	376	6	460	22	16	M20
00FLAACPP400	10	400	400	586	56	430	6	515	26	16	M24



ITEM: FLAACPP

C:\Vault_Temp\Disegni\Corinna\Tabelle\Elofit\Raccordi a codolo\Flaacpp\EL10106.dwg

DESC: FLANGIA IN ACCIAIO RICOPERTA IN POLIPROPILENE
POLYPROPYLENE COVERED STEEL
FLANGE



DRAWING No:
EL10106

SHEET OF REV.
1 1 -1

www.nupigeco.com - info@nupigeco.com

All dimensions have to be considered in millimeters with 5% tolerance if not otherwise mentioned